

# RTP 1000

10.1" IP67 Extreme Rugged Tablet



^ Modern Farming



- 10.1" IPS LCD with 1920 x 1200 resolution
- Sunlight-readable display with 800 nits brightness
- IP67-rated and MIL-STD-810H compliant for vibration and shock resistance
- Wide operating temperature: -20°C to 60°C
- Supports 10-point Multi-Touch for intuitive operation

∨ Mining Exploration



^ Industrial Facility

intel  
partner  
Gold  
IoT Solutions



Vecow

# Specifications

## System

Processor	10-core 13th Gen Intel® Core™ i7-1355U Processor (Raptor Lake-U)
BIOS	AMI
Memory	1 16GB LPDDR5 DRAM (32GB/64GB by request)
Storage	1 M.2 Key M 2280, 256GB / 1TB (512GB by request)
OS	Windows 11 IoT

## Display

LCD	10.1" IPS (16:10)
Resolution	1920 x 1200
Brightness	800 nits
Viewing Angle	Horizontal: 175°, Vertical: 175° (Typical)
Touch Type	Capacitive touch panel, 10 point touch

## I/O Interface

USB	- 1 USB 3.0 Gen 2 type A - 1 USB 3.0 Gen 2 type C with PD function (57W)
LAN	1 GigE LAN by RTL8111H
COM	1 DB9 RS-232
Display	1 Mini HDMI, HDMI2.1 (48 Gbps)
Audio	1 3.5 mm Line-Out Jack
Physical Key	- 1 Power Button - 1 Volume + Button - 1 Volume - Button - 1 Windows Button - 1 Light Bulb Button (configurable) - 1 Gear Button (configurable)
LED	- 1 Power LED - 1 HDD LED - 1 Battery level LED

## Expansion

M.2	- 1 M.2 Key M Socket (2280, PCIe4) - 1 M.2 Key B Socket (3042/3052, USB3.0/USB2.0) with Micro SIM
Docking	Docking Connector (2x USB 2.0 Type A, RS-232, RJ45, charge 19V@3A)

## Wireless

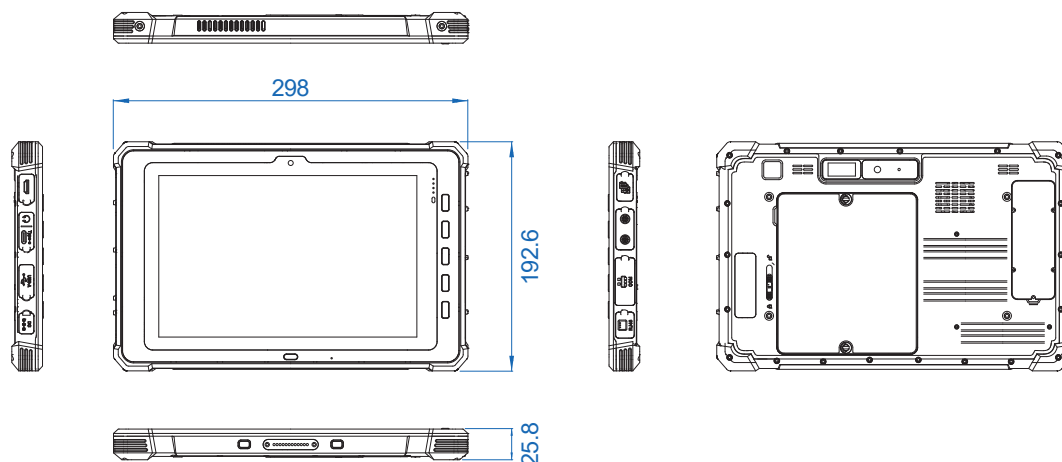
WiFi	Intel® WiFi 6 AX201, 802.11(a/b/g/n/ac)
Bluetooth	Bluetooth® 5.2
Other	4G/5G via M.2 (by Request)

## Sensor

Camera	- 1 Front side Camera (5MP Fixed focal length) - 1 Rear side Camera (8MP Auto focus)
NFC	ICM550UEM
Sensor	MXC6655XA

# Dimensions & Drawing

Unit : mm (inch)



## Power

Power Input	19V DC-in
Power Interface	DC-in Jack
Battery	10000 mAh, 7.6V, 10-hour

## Others

TPM	Intel's Trusted Platform Module (Intel® PTT)
HW Monitor	Monitoring temperature, voltages. Auto throttling control when CPU overheats.

## Mechanical

Dimensions	298 x 192.6 x 25.8mm
Weight	1,450g (with battery)

## Environment

Operating Temp.	-20°C to 60°C (-4°F to 140°F)
Storage Temp.	-30°C to 70°C (-22°F to 158°F)
Humidity	5% to 90% Humidity, non-condensing
Relative humidity	90% @60°C
High Temperature	MIL-STD-810H Method 501.7, Procedure II
Low Temperature	MIL-STD-810H Method 502.7, Procedure II
Vibration	MIL-STD-810H: 2019, Method 514.8, Procedure I, Category 4
Shock	MIL-STD-810H: 2019, Method 516.8, Procedure I
IP Rating	IP67
EMC	CE, FCC

# Order Information

RTP-1000-16-S256	RTP-1000, 10.1" IP67 Extreme Rugged Tablet, with LPDDR5 16GB DRAM, SSD 256GB ,with Docking
RTP-1000-16-S01T	RTP-1000, 10.1" IP67 Extreme Rugged Tablet, with LPDDR5 16GB DRAM, SSD 1TB ,with Docking

# Packing List

RTP-1000	1 RTP-1000 (Tablet PC with Battery)
	1 Docking base with Adaptor
	1 Type-C cable
	1 OTG cable
	1 Shoulder Strap, 1 Hand Strap
	1 Power Adaptor

\* All product information may subject to change without prior notice.

\* The rights of all brand names, product names and trademarks belong to their respective owners.

Copyright © 2025 Vecow Co., Ltd. All rights reserved.